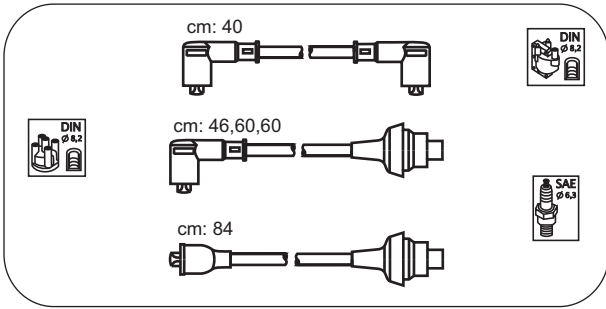


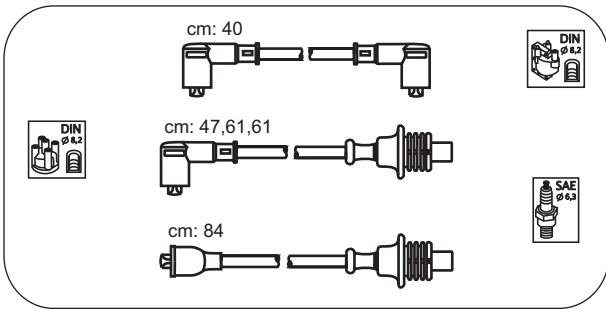
**CPS1  
CPU1\***



**Citroen**

Bx	1.5; 1.5i	→ 87
Bx 16 S-RS-TRS	1.6	82-86
Bx 19 GT-TRS	1.9	82-86

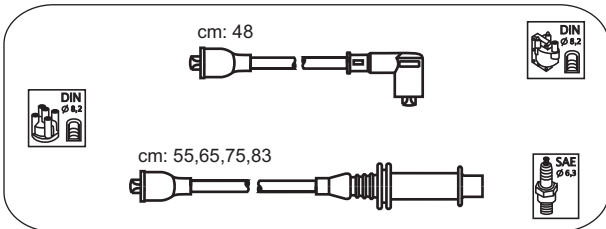
**CPS2  
CPU2\***



**Citroen**

Bx	1.5; 1.5i	87-88
Bx 16 S-RS-TRS	1.6	87-88
Bx 19 GT-TRS	1.9; 1.9i	87-88
Bx 19 TRI-GTi	1.9i	87-92
Bx 19 Sport-Evasion	1.9	85-86

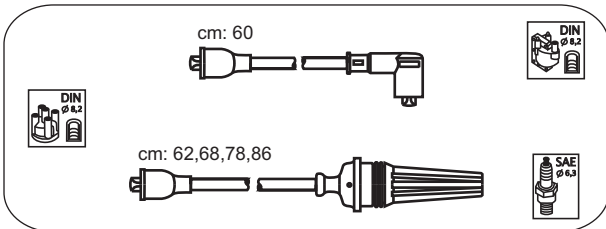
**CPS3  
CPU3\***



**Citroen**

Bx 11 RE-14E	1.1; 1.4	82-84
C15	---	→ 87
C15	1.4	84 →
LNA E-RE-TR-TRS	0.9; 1.1; 1.4	78-86
Visa	---	78-85
Visa GT-11 E-11 RE-TRS-TR	0.9; 1.1; 1.4	85-91

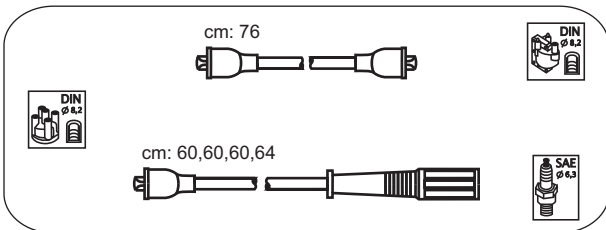
**CPS4  
CPU4\***



**Peugeot**

205 XE-XL-XR-GE-GL	1.0; 1.1; 1.2	83-87
205 GR-XR-GT-XS-Lacoste	1.4	83-88

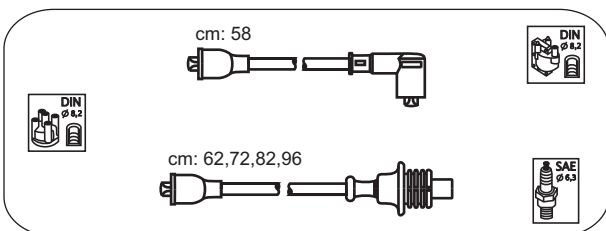
**CPS5  
CPU5\***



**Peugeot**

205 XA-XE-XL-GL	1.0; 1.2; 1.3	88-89
309 GL-GR-Profil	1.1; 1.3	86-88

**CPS6  
CPU6\***



**Peugeot**

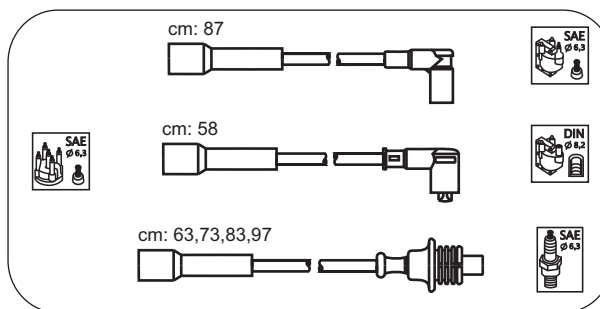
205 GR Auto	1.6	87-88
205 GTi-CTi	1.6	87-92
305 II GLS-GR-GT-GTX	1.6; 1.9	87-88
309 GR-SR-GT	1.6; 1.9	86-88

**Peugeot**

205 GTI  
205 GTI Cat.  
309 GTI

1.9  
1.9i  
1.9

86-92  
- 92 -  
→ 92



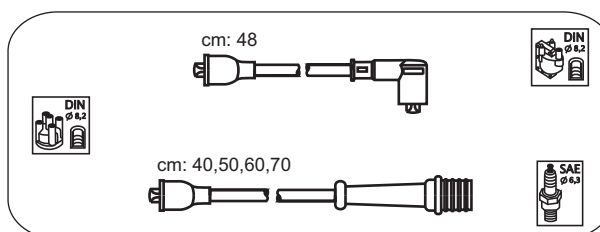
**CPS7**  
**CPU7\***

**Peugeot**

505 TI-STI-GTI 2200-GL-GR

2.0i; 2.2i

79-89



**CPS8**  
**CPU8\***

**Citroen**

Bx  
Bx 16 TRI-TZi  
Bx 19 TRI  
Bx 19 GTI 8V

1.5; 1.5i  
1.6  
1.9; 1.9i  
1.9

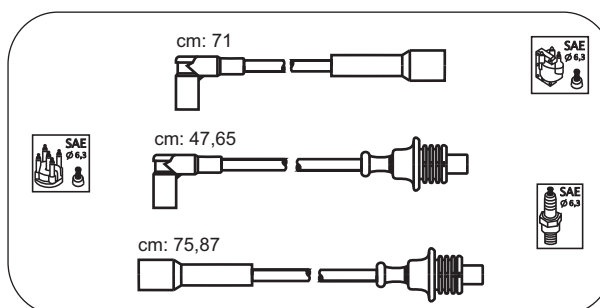
88 →  
88-91  
88 →  
86 →

**Peugeot**

205 GR Auto  
309  
405 GL-GR-SR Cat.  
405 GL-GR-SR  
405 GRI-SRI

1.6  
1.6; 1.6i  
1.6  
1.6; 1.9  
1.9i

89 →  
89 →  
88 →  
88-92  
88-92



**CPS9**  
**CPU9\***

**Citroen**

Visa GTI  
Visa GTI

1.6  
1.9

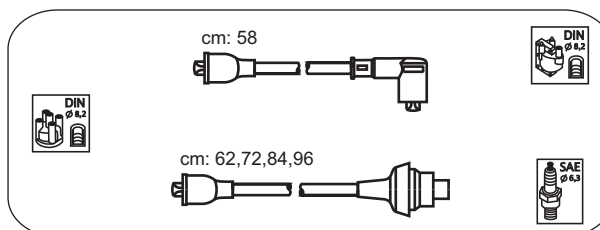
85-87  
86-90

**Peugeot**

205 GR Auto  
305 II SR-GR-GT-GTX

1.6  
1.6; 1.9

→ 86  
83-86



**CPS10**  
**CPU10\***

**Citroen**

C15

1.1; 1.3

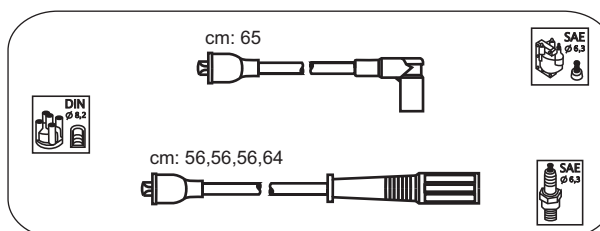
88-89

**Peugeot**

205 XA-XE-XL-GL  
309 XE-XL-GL-GE-GR

1.2; 1.3  
1.1; 1.3

89-91  
- 89 -



**CPS11**  
**CPU11\***

**Citroen**

Xm  
Xm

2.0  
2.0i

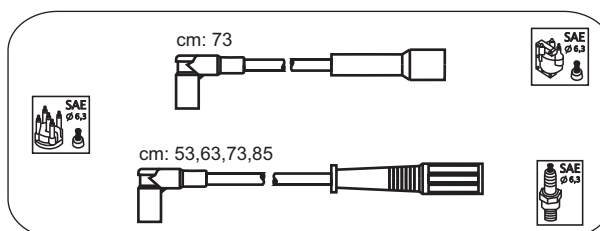
90 →  
- 90 -

**Peugeot**

605  
605

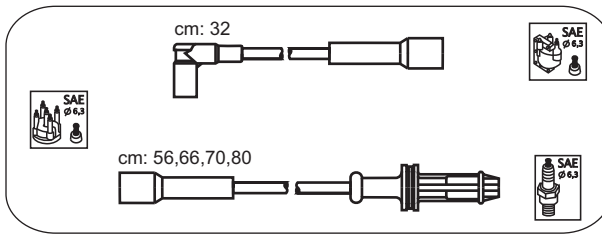
2.0  
2.0i

90-92  
- 90 -



**CPS12**  
**CPU12\***

**CPS13  
CPU13\***



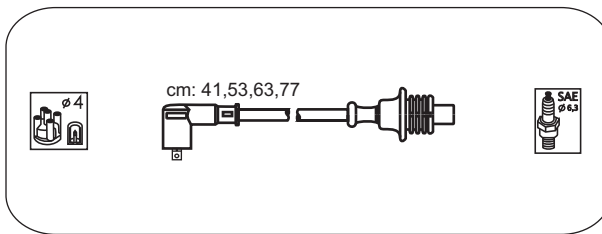
**Citroen**

Ax 10 E-RE-TRE-TRS-TZS-Sport	1.0; 1.1; 1.3; 1.4	86-92
Ax (dostawczy)	1.0i	95 →
Berlingo	1.4	96-98
Bx 14 E-14 RE-14 TE	1.4i	85-92
C15	1.1; 1.4	84 →
Zx	1.1; 1.4	90-92
Zx	1.1i; 1.4i	93 →

**Peugeot**

106 Kid	0.9	85 →
106 XN-XR	1.1	91-92
106 XR-XT	1.4	91-92
205 XG-XR-XL-Junior-GE-GL-GR	0.9; 1.1	88-92
205 Rally	1.3	88-92
205 CT-GT-XT-XR-XS	1.4	88-92
306	1.4	93 →
309 XA-XE-GE-GL-Profil	1.1; 1.4	90 →
309	1.1i; 1.4i	- 92 -
405 GL	1.4	88-92

**CPS14  
CPU14\***



**Citroen**

Berlingo	1.8i	97 →
Bx 16	1.6i	92 →
Evasion	1.8i	96 →
Jumper	2.0; 2.0i	94 →
Jumpy combi	1.6i	95 →
Xantia X-Xi	1.6i	93 →
Xantia X-SX	1.8i	93 →
Xsara	1.8i	97 →
Xsara 16V	1.8i	96 →
Zx	1.6i; 1.8i	91 →
Zx 16V	1.8i	93 →
Zx Volcane	1.9i	93 →

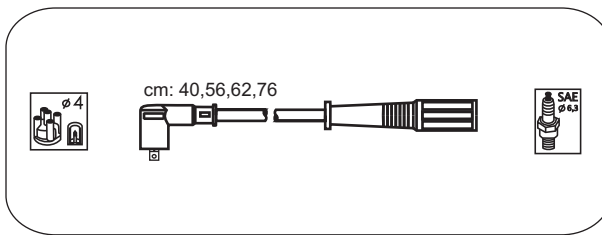
**Fiat**

Ducato	2.0; 2.0i	94 →
Ulysse	1.8i	96 →

**Peugeot**

205	1.6i	91 →
205 GTi Cat.	1.9i	93 →
306 XT-XT Auto	1.8	93 →
405 GL-GR-SR-Style	1.6i	92 →
405	1.8i	93-97
405	1.9i	92 →
406 SL	1.6i	96 →
406 SL-ST	1.8i	96 →
Boxer	2.0; 2.0i	94 →
Partner	1.8i	97 →

**CPS15  
CPU15\***



**Citroen**

Evasion X-SX-CTS-X-CTVSX	2.0i	95 →
Xantia SX-VSX	2.0i	93 →
Xsara 16V	2.0i	96 →
Xm	2.0i	91-94
Xm Turbo CT VSX	2.0i	94 →
Zx Volcane 8V	2.0i	93 →
Zx 16V	2.0i	93 →

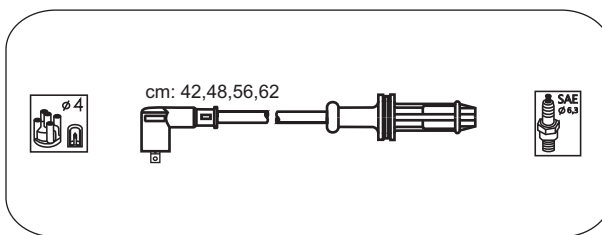
**Fiat**

Ulysse	2.0	95 →
--------	-----	------

**Peugeot**

306 XSi	2.0	93 →
405	1.9i	92-93
405 SRi-SRTi-SR 4x4	1.9i	93 →
406 ST-SV	2.0i	96 →
605	2.0i	91 →
605 SRTi-SRTi Auto	2.0i	93 →
605 Executive-Executive Turbo	2.0i	95 →
806	2.0i	95 →

**CPS16  
CPU16\***



**Citroen**

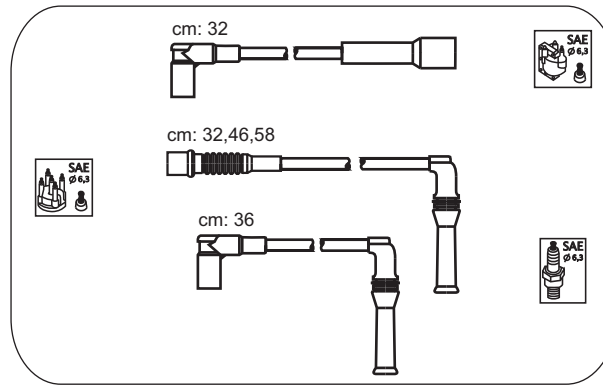
Ax	1.0i; 1.1i; 1.4i	93 →
Berlingo	1.1; 1.4i	96 →
Saxo	0.9i; 1.1i; 1.4i; 1.6i	96 →
Xsara	1.4i; 1.6i	97 →
Zx	1.1i; 1.4i	93 →

**Peugeot**

106	1.0i; 1.6i	96 →
106 XR-Kid	1.1i	93 →
106 Xsi	1.4i	91 →
106	1.4i	93 →
205	1.1i; 1.4i	93 →
306 XN	1.1	93 →
306 XN-XR-Style	1.4	93 →
306 XR-XT	1.6	93 →
309	1.4i	93 →
405	1.4i	93 →
Partner	1.1i; 1.4i	96 →
Ranch	1.4i	97 →

**Citroen**  
Bx 19 GTI 16V  
**Peugeot**  
309 GTI 16V  
405 Mi 16 16V

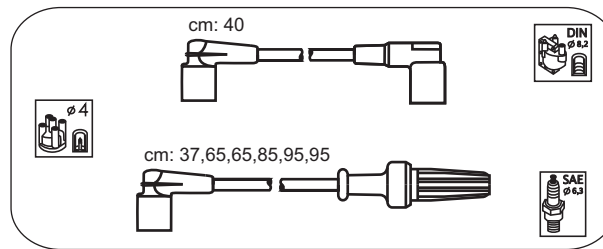
1.9 88 →  
1.9 90-93  
1.9 88-92



**CPS17**  
**CPU17\***

**Citroen**  
Xm V6  
**Peugeot**  
605 V6

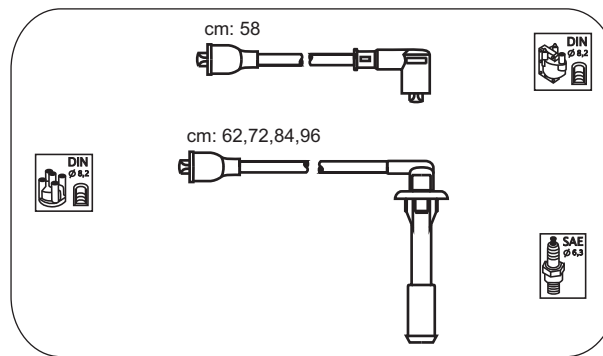
3.0 89 →  
3.0 10.89 →



**CPS18**  
**CPU18\***

**Peugeot**  
505  
J5  
J9  
**Fiat**  
Ducato

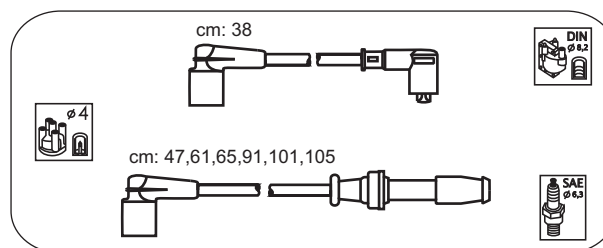
2.0 85-89  
1.8; 2.0 83 →  
2.0 83 →  
1.8; 2.0 82-94



**CPS19**  
**CPU19\***

**Citroen**  
Xm V6 24V  
**Peugeot**  
605 V6 24V

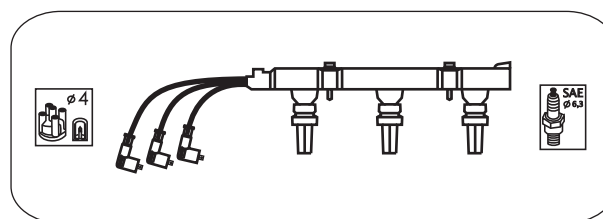
3.0 91 →  
3.0 90 →



**CPS20**  
**CPU20\***

**Citroen**  
Xantia V6 Activa  
Xm V6 Exclusive  
**Peugeot**  
406 Coupe V6  
**Renault**  
Espace V6 24V

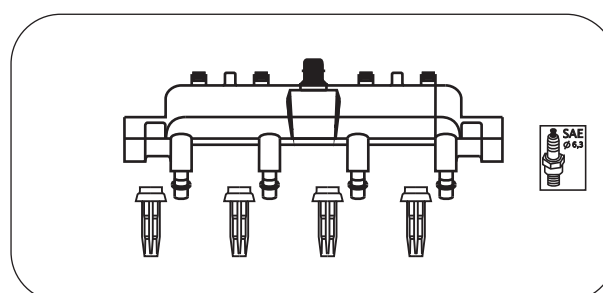
3.0i 97 →  
3.0i 97 →  
3.0i 97 →  
3.0i ---



**NEW**  
**CPS21**

**Citroen**  
Ax Sport  
Berlingo X-Multispace  
Saxo  
Saxo  
Xsara X-SX  
Zx  
**Peugeot**  
106  
106  
106 XSi, Rallye, S16  
206 XR-XS-XT  
306  
Partner Break-Combi

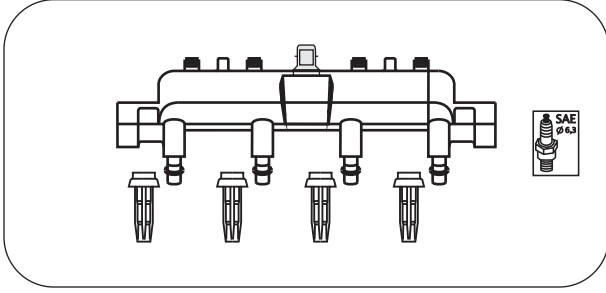
0.9i 97 →  
1.4i 97 →  
0.9i; 1.4i; 1.6i 97 →  
1.1i 96 →  
1.4i 98 →  
1.1i; 1.4i 97-99  
1.0i; 1.1i 97 →  
1.4i 97 →  
1.6i 97 →  
1.4i; 1.6i 98 →  
1.4i; 1.6i 97 →  
1.4i 97 →



**NEW**  
**CPS22**

**NEW**

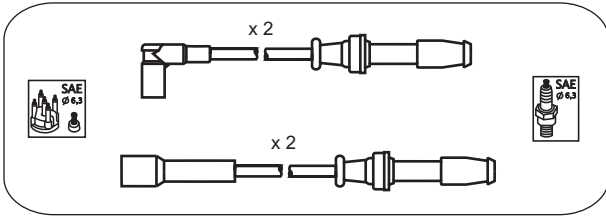
**CPS23**



<b>Citroen</b>			
Berlingo X-Multispace	1.4i	00	→
C3	1.1i; 1.3i; 1.4i; 1.6i	02	→
Saxo	1.1i; 1.4i; 1.6i	00	→
Xsara X-SX	1.4i	00	→
Xsara Picasso	1.6i	00	→
<b>Peugeot</b>			
106	1.1i	00	→
106 Sport, S16	1.4i	00	→
206 XR	1.1i	00	→
206 XT	1.4i	00	→
306 XR-XT	1.4i; 1.6i	00	→
307 XR-XT-XS	1.4i; 1.6i	00	→
Partner Break-Combi	1.4i	00	→

**NEW**

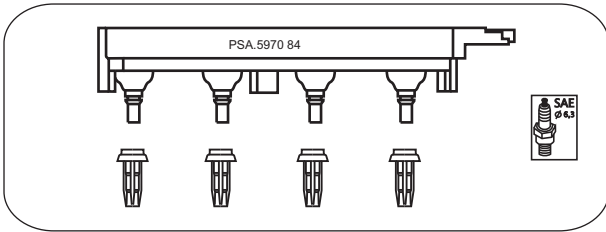
**CPS24  
CPU24\***



<b>Citroen</b>			
CX 25 GTi	2.5	05.86-12.92	
CX 25 GTi Turbo 2	2.5	06.84-12.92	

**NEW**

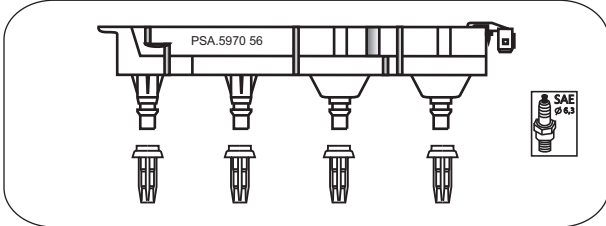
**CPS25**



<b>Citroen</b>			
Berlingo	2.0; 2.2	---	
C4	2.0; 2.2	---	
C8	2.0; 2.2	---	
Xsara	2.0; 2.2	---	
<b>Peugeot</b>			
307	2.0; 2.2	---	
407	2.0; 2.2	---	
607	2.0; 2.2	---	
807	2.0; 2.2	---	

**NEW**

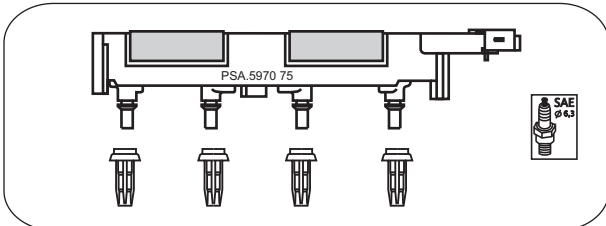
**CPS26**



<b>Citroen</b>			
C2	1.6	01.05	→
Saxo 16V	1.6	06.96	→
<b>Peugeot</b>			
106 16V	1.6	06.97-06.00	

**NEW**

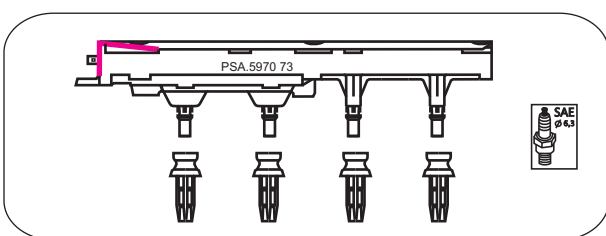
**CPS27**



<b>Citroen</b>			
C5	2.0	---	
<b>Peugeot</b>			
206	2.0	---	
307	2.0	---	
407	2.0	---	

**NEW**

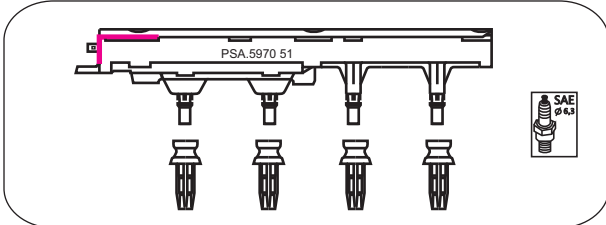
**CPS28**



<b>Citroen</b>			
Evasion 16V	2.0	05.98-04.00	
Xantia 16V	1.8i; 2.0i	03.97	→
Xsara 16V	1.8i; 2.0	04.97-09.00	
Xsara Picasso 16V	1.8	02.00	→
Zx 16V	1.8i	03.97-02.98	
<b>Peugeot</b>			
306	2.0	03.97	→
306 16V	1.8; 2.0	03.97	→
406 16V	1.8; 2.0	03.97	→
605 16V	2.0	03.97-09.99	
806 16V	2.0	05.98-09.00	

**NEW**

**CPS29**



<b>Citroen</b>			
Xantia 16V	2.0	06.95	→
Xm 16V	2.0	03.97-10.00	
<b>Peugeot</b>			
406 16V	1.8; 2.0	11.95	→
605 16V	2.0	07.94	→